



Stratix II DSP Development Board

Reference Manual



101 Innovation Drive
San Jose, CA 95134
(408) 544-7000
www.altera.com

Document Version: 6.0.1
Document Date: August 2006

Copyright © 2005 Altera Corporation. All rights reserved. Altera, The Programmable Solutions Company, the stylized Altera logo, specific device designations, and all other words and logos that are identified as trademarks and/or service marks are, unless noted otherwise, the trademarks and service marks of Altera Corporation in the U.S. and other countries. All other product or service names are the property of their respective holders. Altera products are protected under numerous U.S. and foreign patents and pending applications, maskwork rights, and copyrights. Altera warrants performance of its semiconductor products to current specifications in accordance with Altera's standard warranty, but reserves the right to make changes to any products and services at any time without notice. Altera assumes no responsibility or liability arising out of the application or use of any information, product, or service described herein except as expressly agreed to in writing by Altera Corporation. Altera customers are advised to obtain the latest version of device specifications before relying on any published information and before placing orders for products or services.



MNL-01003-1.0

About this Manual

Revision History	v
How to Contact Altera	v
Typographic Conventions	vi

Chapter 1. Introduction

General Description	1-1
Board Components	1-1
Debugging Interfaces	1-2
Expansion Interfaces	1-2
Block Diagram	1-3
Environmental Requirements	1-3
Handling the Board	1-4

Chapter 2. Board Components & Interfaces

Board Overview	2-1
Power	2-3
Clocks & Clock Distribution	2-4
Board Components	2-7
Stratix II Device (U18)	2-7
Switch Inputs	2-8
Configuration-Status LEDs	2-8
Dual Seven-Segment Display & LEDs	2-9
A/D Converters	2-10
D/A Converters	2-13
SRAM Memory (U43 & U44)	2-16
Flash Memory (U17)	2-19
SDRAM Memory (U39 & U40)	2-21
Ethernet MAC /PHY (U16)	2-25
CompactFlash Connector (CON1)	2-28
Mictor Connector (J20)	2-30
VGA Interface (J35)	2-32
Audio CODEC (U5)	2-33
Expansion Interfaces	2-34
TI-EVM/FPDP Connector (J31, J33)	2-34
RS-232C Serial I/O Interface	2-37
Analog Devices Corporation External A/D Support	2-39
Expansion Prototype Connector (J23, J24, J25)	2-40
Expansion Prototype Connector (J26, J27, J28)	2-42

Chapter 3. Getting Started

Using the Board	3-1
Apply Power	3-1
Configure the Stratix II Device Directly	3-2
Non-Volatile Configuration	3-2
Configuration Data	3-3
Factory & User Configurations	3-4
The Factory Design	3-5
Install or Remove the Active Heat Sink	3-5
Remove the Active Heat Sink	3-6



About this Manual

Revision History The table below displays the revision history for chapters in this user guide.

Chapter	Date	Version	Changes Made
All	August 2006	6.0.1	First release of reference manual. Document was previously called a data sheet.

This document provides information about the Altera® Stratix® II family of devices and the Stratix II DSP development board.



Refer to the readme file or user guide on the *DSP Development Kit, Stratix II Edition Version 6.0.1 CD-ROM* for additional information.








How to Contact Altera

For technical support or other information about Altera products, go to the Altera world-wide web site at www.altera.com. You can also contact Altera through your local sales representative or any of the sources listed below.

Information Type	USA & Canada	All Other Locations
Technical support	www.altera.com/mysupport/	www.altera.com/mysupport/
	800-800-EPLD (3753) 7:00 a.m. to 5:00 p.m. Pacific Time	+1 408-544-8767 7:00 a.m. to 5:00 p.m. (GMT -8:00) Pacific Time
Product literature	www.altera.com	www.altera.com
Altera literature services	lit_req@altera.com	lit_req@altera.com
Non-technical customer service	800-767-3753	+ 1 408-544-7000 7:00 a.m. to 5:00 p.m. (GMT -8:00) Pacific Time
FTP site	ftp.altera.com	ftp.altera.com

Typographic Conventions

This document uses the typographic conventions shown below.

Visual Cue	Meaning
Bold Type with Initial Capital Letters	Command names, dialog box titles, checkbox options, and dialog box options are shown in bold, initial capital letters. Example: Save As dialog box.
bold type	External timing parameters, directory names, project names, disk drive names, filenames, filename extensions, and software utility names are shown in bold type. Examples: fMAX , qdesigns directory, d: drive, chiptrip.gdf file.
<i>Italic Type with Initial Capital Letters</i>	Document titles are shown in italic type with initial capital letters. Example: <i>AN 75: High-Speed Board Design</i> .
<i>Italic type</i>	Internal timing parameters and variables are shown in italic type. Examples: <i>tPIA</i> , <i>n + 1</i> . Variable names are enclosed in angle brackets (< >) and shown in italic type. Example: < <i>file name</i> >, < <i>project name</i> >.pdf file.
Initial Capital Letters	Keyboard keys and menu names are shown with initial capital letters. Examples: Delete key, the Options menu.
"Subheading Title"	References to sections within a document and titles of on-line help topics are shown in quotation marks. Example: "Typographic Conventions."
Courier type	Signal and port names are shown in lowercase Courier type. Examples: <code>data1</code> , <code>tdi</code> , <code>input</code> . Active-low signals are denoted by suffix <i>n</i> , e.g., <code>resetn</code> . Anything that must be typed exactly as it appears is shown in Courier type. For example: <code>c:\qdesigns\tutorial\chiptrip.gdf</code> . Also, sections of an actual file, such as a Report File, references to parts of files (e.g., the AHDL keyword <code>SUBDESIGN</code>), as well as logic function names (e.g., <code>TRI</code>) are shown in Courier.
1., 2., 3., and a., b., c., etc.	Numbered steps are used in a list of items when the sequence of the items is important, such as the steps listed in a procedure.
	Bullets are used in a list of items when the sequence of the items is not important.
	The checkmark indicates a procedure that consists of one step only.
	The hand points to information that requires special attention.
	The caution indicates required information that needs special consideration and understanding and should be read prior to starting or continuing with the procedure or process.
	The warning indicates information that should be read prior to starting or continuing the procedure or processes
	The angled arrow indicates you should press the Enter key.
	The feet direct you to more information on a particular topic.

General Description

The Altera® Stratix® II DSP development board is included with the DSP Development Kit, Stratix II Edition (ordering codes DSP-DEVKIT-2S60 and DSP-DEVKIT-2S180). This board is a development platform for high-performance digital signal processing (DSP) designs, and features the Stratix II EP2S60/EP2S180 device in a 1,020-pin package.

The Stratix II DSP development board provides a hardware platform that designers can use to start developing DSP systems based on Stratix II devices. Combined with DSP intellectual property (IP) from Altera and Altera Megafunction Partners Program (AMPPSM) partners, users can quickly develop powerful DSP systems. Altera's unique OpenCore® Plus technology allows users to evaluate MegaCore® functions in hardware prior to licensing them.

DSP Builder includes a library for the Stratix II EP2S60/EP2S180 DSP development boards. This library allows algorithm development, simulation, and verification on the board, all from within the MathWorks MATLAB/Simulink system-level design tool. Additionally, the Stratix II DSP development board includes a Texas Instruments' EVM (cross-platform) daughter card connector, which enables development and verification of FPGA co-processors for off loading and accelerating compute-bound algorithms from programmable DSP processors.

Board Components

- Analog I/O
 - Two 12-bit 125-MHz A/D converters
 - Two 14-bit 165-MHz D/A converters
 - One 8-bit, 180 megapixels-per-second triple D/A converter for VGA output
 - One 96-KHz Stereo Audio coder/decoder (CODEC)
- Memory subsystem
 - 1 MByte of 10-ns asynchronous SRAM configured as a 32-bit bus
 - 16 MBytes of flash memory configured as an 8-bit bus
 - 32 MBytes of SDRAM memory configured as a 64-bit bus
 - CompactFlash connector supporting ATA and IDE access modes
- Configuration options
 - On-board configuration using 16 MBytes of flash memory and an Altera® EPM7256 MAX® device
 - Download configuration data using a USB Blaster™ download cable

- Single-ended or differential inputs and outputs accessed via a Mictor connector
- Dual seven-segment display
- Four user-defined push-button switches
- One female 9-pin RS-232 connector
- 10/100 Ethernet MAC/PHY
- Eight user-defined LEDs
- Socketed 100-MHz oscillator
- Single 16-V DC power supply (adapter included)
- Active heat sink

Debugging Interfaces

- One Mictor-type connector for Agilent and Tektronix logic analyzers
- Several 0.1-inch headers

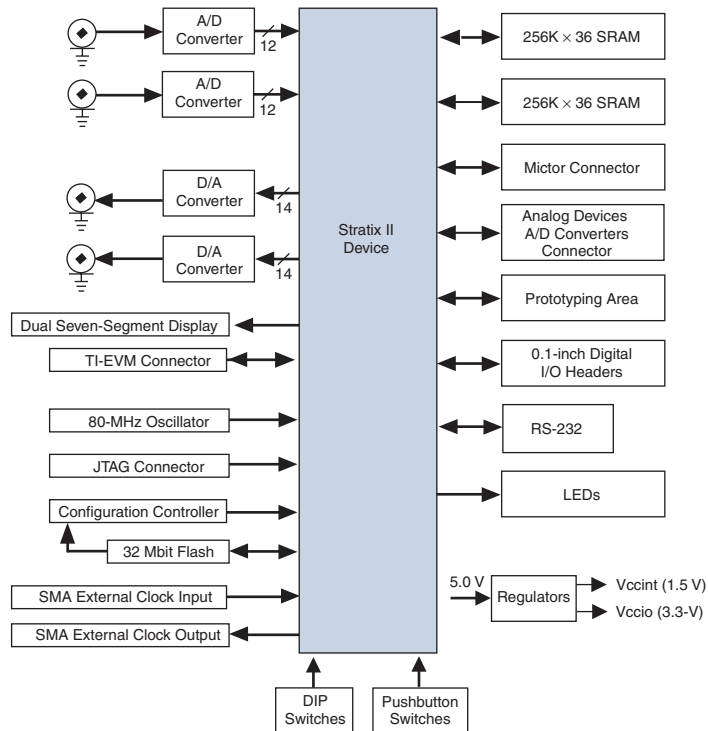
Expansion Interfaces

- Two connectors for Analog Devices A/D converter daughter cards
- Connector for Texas Instruments Evaluation Module (TI-EVM) daughter cards
- Two Expansion Prototype connectors

Block Diagram

Figure 1 shows a block diagram of the board.

Figure 1. Stratix II EP2S60 Development Board Block Diagram



Environmental Requirements

The Stratix II DSP development board must be stored between -40°C and 100°C . The recommended operating temperature is between 0°C and 55°C .



The Stratix II DSP development board can be damaged without proper anti-static handling.



The DSP Development Kit, Stratix II Edition includes a heat sink and fan combination, also known as an active heat sink. Depending on the specific requirements of your application, this level of cooling may not be necessary. Refer to [“Install or Remove the Active Heat Sink”](#) on [page 3–5](#) for more information.

Handling the Board

When handling the board, it is important to observe the following precaution:



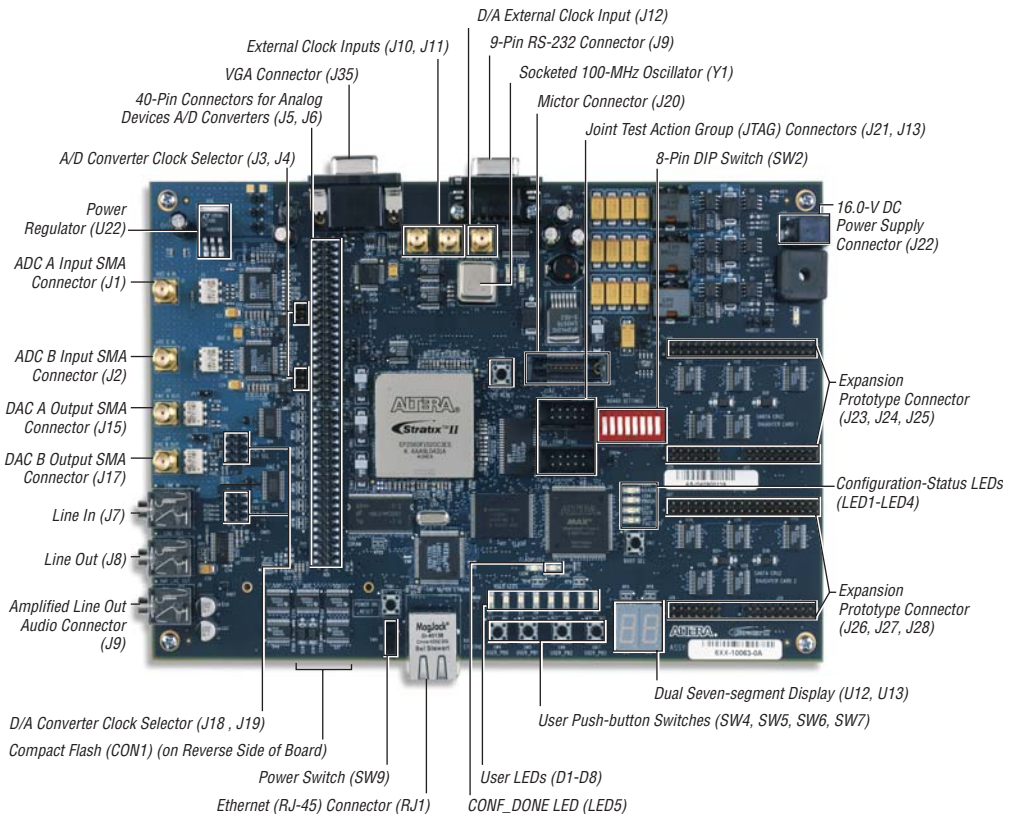
Without proper anti-static handling, you can damage the board. Therefore, use the proper anti-static handling precautions when touching the board.

Board Overview

This chapter provides operational and connectivity details for the board's major components and interface, including the components location on the development board and a description. For detailed part numbers and manufacturers, refer to the information provided in the **BoardDesignFiles** directory.

Figure 1 shows a top view of the board components and interfaces.

Figure 1. Stratix II DSP Development Board Components & Interfaces



Note to Figure 1:

- (1) A TI-EVM/FPDP connector (J31, J33) is found on the reverse side of the board.

Table 1 describes the components on the board and the interfaces it supports.

Table 1. Stratix II DSP Development Board Components & Interfaces (Part 1 of 2)			
Component/ Interface	Type	Board Designation	Description
Components			
Stratix® II device	FPGA	U18	EP2S60/EP2S180 Stratix II device
MAX® Device	PLD	U10	EPM7256ETC144 device
A/D converters	I/O	U1, U2	Two 12-bit 125-MHz A/D converters
D/A converters	I/O	U14, U15	Two 14-bit 165-MHz D/A converters
1 MByte SRAM	Memory	U43, U44	1 MByte of 10-ns asynchronous SRAM configured as a 32-bit bus.
16 MBytes of flash memory	Memory	U17	16 Mbytes of flash memory configured as an 8-bit bus.
32 MBytes of SDRAM	Memory	U39, U40	32 MBytes of SDRAM memory configured as a 64-bit bus
SMA external clock input connectors	Input	J10, J11, J12	SMA connectors for inputs of external clock signals, terminated in 50 Ω
Dual seven-segment display	Display	U12, U13	Dual seven-segment display.
Push-button switches	I/O	SW4, SW5, SW6, SW7	Four push-button switches, which are user-defined as logic inputs.
User-defined LEDs	Display	D1 - D8	Eight user-defined LEDs.
Power-on LED	Display	LED7	LED that illuminates when power is supplied to the board.
CONF_DONE LED	Display	LED5	LED that illuminates upon successful configuration of the Stratix II device.
RS-232 connector	I/O	J29	DB9 connector, configured as a DTE serial port. The interface voltages are converted to 3.3-V signals and brought to the Stratix II device, which must be configured to generate and accept transmissions.
100-MHz oscillator	Clock	Y1	Socketed on-board 100-MHz oscillator.
Single 16-V DC power supply	Input	J22 (adapter)	Board adapter for included 16-V DC power supply
Stratix II device Joint Test Action Group (JTAG) Connector	I/O	J21	JTAG Connector used to configure the Stratix II device directly
Configuration controller JTAG Connector	I/O	J13	JTAG connector used to configure the configuration controller

Table 1. Stratix II DSP Development Board Components & Interfaces (Part 2 of 2)

Component/ Interface	Type	Board Designation	Description
VGA D/A Converter	I/O	U45	One 8-bit, 180 megapixels-per-second triple D/A converter for VGA output
Audio CODEC	I/O	U5	96-KHz stereo audio CODEC
CompactFlash card connector	I/O	CON1	CompactFlash card connector
Debugging Interfaces			
Mictor connectors	I/O	J20	One Mictor header connected to 33 pins on the Stratix II device (32 data signals, 1 clock signal) for use with an external logic analyzer.
Expansion Interfaces			
Analog Devices connector (1)	Expansion	J5, J6	Interface to Analog Device's A/D converters via two 40-pin connectors.
TI-EVM connectors	Expansion	J31, J33	Interface to the TI-EVM. (The connectors are on the reverse side of the board.)
Expansion Prototype Connectors	Expansion	J23 - J25, J26 - J28	The board provides two custom interfaces to daughter cards via 74-pin headers. (These pins can also be used for general I/O.) These connectors are referred to on the board as "Santa Cruz Daughter Card 1" and "Santa Cruz Daughter Card 2"

Note to Table 1:

- (1) These headers can be used to interface to Analog Devices A/D converter evaluation boards. They are designated as J5 and J6, and interface to Analog Devices AD6645/9433/9430 external A/D converters.

Power

The 16-layer development board has 10 signal layers and 6 ground/VCC planes. The board is powered from a single, well-regulated 16-V supply.

Regulators on the board are used to develop the V_{CCINT} (1.2 V), V_{CCIO} (3.3 V), and V_{CC5} (5.0 V) voltages. The board includes a Power-on LED that indicates the presence of V_{CCIO} .

The following board elements are powered by the 3.3 V supply:

- LEDs
- Switches
- Crystal oscillator

Table 2 lists the reference information for the 16-V power supply, which connects from the wall socket to the DSP development board.

Item	Description
Board reference	N/A (power supply adapter)
Device description	Switching power supply, Input: 100-240 V, ~1.2 A max., 50-60 Hz Output: +16 V, 3.75 A, 60 W max.

Clocks & Clock Distribution

Table 3 lists the clocks and their signal distribution throughout the board.

Signal Name	Comes From	Goes To
dac_PLLCLK1	Stratix II device pin B15 (PLL5_OUT0p)	DAC A (U14 pin 28)
dac_PLLCLK1_n	Stratix II device pin C15 (PLL5_OUT0n)	DAC A (U14 pin 28)
dac_PLLCLK2	Stratix II device pin C16 (PLL5_OUT1p)	DAC B (U15 pin 28) (2)
dac_PLLCLK2_n	Stratix II device pin D16 (PLL5_OUT1n)	DAC B (U15 pin 28) (2)
sdram_CLK	Stratix II device pin AK16 (PLL6_OUT0p)	SDRAM (U39 U40 pins 68)
adc_PLLCLK1	Stratix II device pin B18 (PLL11_OUT0p)	ADC A (U1 pins 8, 7) (1)
adc_PLLCLK2	Stratix II device pin D18(PLL11_OUT0n)	ADC B (U2 pins 8, 7) (1)
audio_CLK	Stratix II device pin AL18(PLL12_OUT0p)	Audio CODEC (U5 pin 25)
pld_MICTORCLK	Stratix II device pin M25	Mictor Connector (J20 pin 5)
pld_CLKOUT	Stratix II device pin J14	PROTO1 (J25 pin 11) and PROTO2 (J28 pin 11) via a buffer (U7)
pld_CLKIN0,pld_CLKIN1	100-MHz oscillator	Stratix II device pins AM17 and A16
pld_CLKIN0_n,pld_CLKIN1_n	External CLKIN_n input (J11)	Stratix II device pins AL17 and B16
proto1_OSC, proto2_OSC	100-MHz oscillator	PROTO1 (J25 pin 9) and PROTO2 (J28 pin 9) via a buffer (U7)
cpld_CLKOSC	100-MHz oscillator	CPLD (U10 pin 125)

Table 3. Clock Distribution Signals (Part 2 of 2)

Signal Name	Comes From	Goes To
adc_CLK_IN1, adc_CLK_IN2	100-MHz oscillator	ADC A (U1 pins 8, 7) and B (U2 pins 8, 7) (1)
dac_CLKIN1, dac_CLKIN2	100-MHz oscillator	DAC A (U14 pin 28) and B (U15 pin 28) (2)
pld_CLKFB	pld_CLKOUT signal from the Stratix II pin J14	Stratix II device pin U1
adc_CLK_IN1_n, adc_CLK_IN2_n	External CLKIN_n input (J11)	ADC A (U1 pins 8, 7) and B (U2 pins 8, 7) (1)
dac_DACCLKIN1, dac_DACCLKIN2	External DA_EXT_CLK input (J12)	DAC A (U14 pin 28) and B (U15 pin 28) (2)
pld_DACCLKIN	External DA_EXT_CLK input (J12)	Stratix II device pin E16
proto1_CLKOUT, proto2_CLKOUT	PROTO1 (J25 pin 13) PROTO2 (J28 pin 13) via a buffer (U7)	Stratix II device pins T32 and T30

Notes to Table 3:

- (1) J3 and J4 control which clock is routed to the A/D converters. See [Table 9](#) for details.
(2) J18 and J19 control which clock is routed to the D/A converters. See [Table 14](#) for details.

The Stratix II DSP development board can obtain a clock source from one or more of the following sources:

- The on-board crystal oscillator
- An external clock (through an SMA connector or a Stratix II pin)

The board can provide independent clocks from both the enhanced and fast PLLs to the A/D converters, the D/A converters, and the other components that require stable clock sources.

To implement this concept, the enhanced PLL5-dedicated pins drive the A/D converters and associated functions, and the enhanced PLL6-dedicated pins drive the D/A converters and associated functions.

Figure 2 is a diagram of each clock and their distribution throughout the board.

Figure 2. Clock Distribution

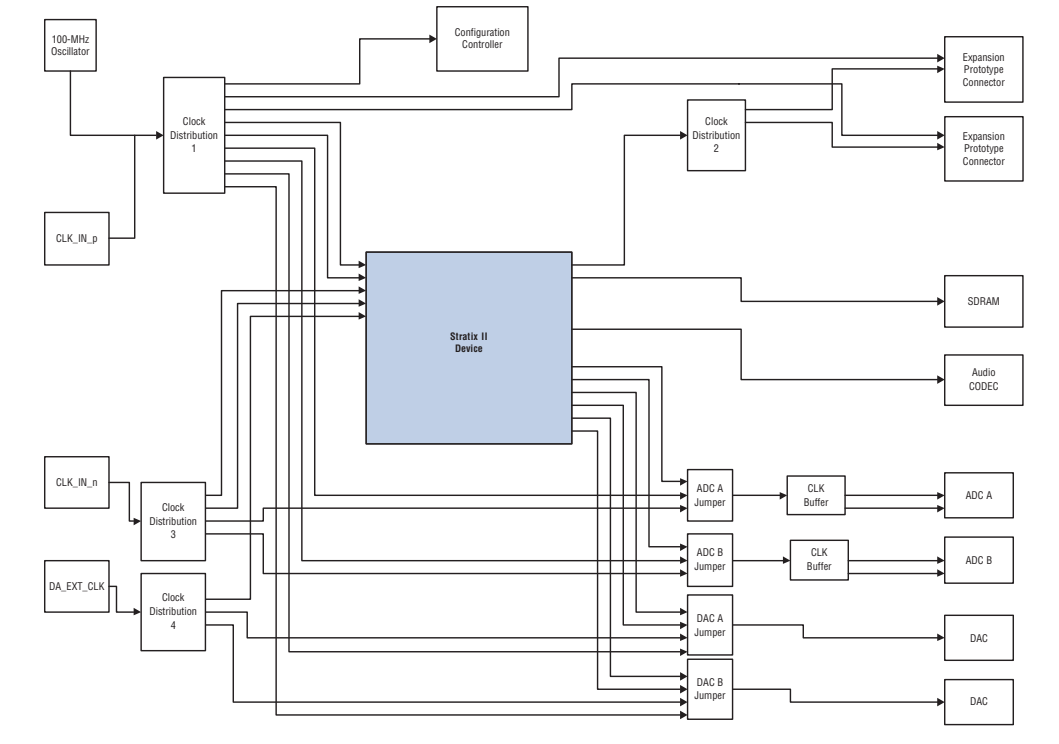


Table 4 lists the reference information for the 100-MHz socketed oscillator.

Item	Description
Board reference	Y1
Device description	Oscillator



Clock distribution 1 source can be either the oscillator (Y1) or an external clock inserted using J10. To use an external clock signal, remove the crystal oscillator from its socket. Make sure to note the correct orientation of the oscillator before removing it.

Board Components

The following sections describe the development board components.

Stratix II Device (U18)

The Stratix II EP2S60 device on the board features 24,176 adaptive logic modules (ALMs) in a speed grade (-3) 1,020-pin FineLine BGA® package. The device has 2,544,192 total RAM bits.

The Stratix II EP2S180 device on the board features 71,760 adaptive logic modules (ALMs) in a speed grade (-3) 1,020-pin FineLine BGA package. The device has 9,383,040 total RAM bits.



For more information on Stratix II devices, refer to the *Stratix II Device Handbook*.

Table 5 describes the features of the Stratix II EP2S60F1020C4 and EP2S180F1020C3 devices.

Feature	EP2S60F1020	EP2S180F1020C3
ALMs	24,176	71,760
Adaptive look-up tables (ALUTs) (1)	48,352	143,520
Equivalent LEs (2)	60,440	179,400
M512 RAM Blocks (32 × 18 bits)	329	930
M4K RAM Blocks (128 × 36 bits)	255	768
M-RAM Blocks	2	9
Total RAM bits	2,544,192	9,383,040
DSP Blocks	36	96
18-bit × 18-bit multipliers (3)	144	384
Enhanced PLLs	4	4
Fast PLLs	8	8
Maximum user I/O pins	717	743
Package type	1,020-pin FineLine BGA	1,020-pin FineLine BGA
Board reference	U18	U15
Voltage	1.2 V (internal), 3.3 V (I/O)	1.2 V (internal), 3.3 V (I/O)

Notes to Table 5:

- (1) One ALM contains two ALUTs. The ALUT is the cell used in the Quartus II software for logic synthesis.
- (2) This is the equivalent number of LEs in a Stratix device (four-input LUT-based architecture).
- (3) These multipliers are implemented using the DSP blocks.

Switch Inputs

The board has four push-button switches for user-defined logic input. Each push-button signal when pressed, drives logic low and when released goes back to driving logic high.

Table 6 shows the pin-outs for the push-button switches.

Signal Name	Stratix II Pin
SW4	K14
SW5	J15
SW6	L13
SW7	J13

Configuration-Status LEDs

The configuration controller is connected to four status LEDs that show the configuration status of the board at a glance. You can tell which configuration, if any, was loaded into the FPGA at power-on by looking at the LEDs. If a new configuration is downloaded into the Stratix II device via the JTAG interface, then the USER LED (LED1) remains illuminated. The rest of the configuration-status LEDs turn off if the unused pins are configured as inputs, tri-stated for the Stratix II device.

Table 7 shows the behavior of the configuration-status LEDs.

LED	LED Name	Color	Description
LED3	Loading	Green	This LED blinks while the configuration controller is actively transferring data from flash memory into the Stratix II FPGA.
LED4	Error	Red	If the red Error LED is on, then configuration was not transferred from flash memory into the Stratix II device. This can happen if, for example, the flash memory contains neither a valid user or factory configuration.
LED1	User	Green	This LED turns on when the user configuration is being transferred from flash memory and stays illuminated when the user configuration data is successfully loaded into the Stratix II device.
LED2	Factory	Amber	This LED turns on when the factory configuration is being transferred from flash memory and stays illuminated if the factory configuration was successfully loaded into the Stratix II device.

Dual Seven-Segment Display & LEDs

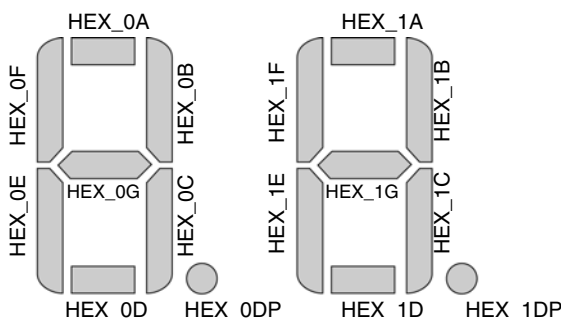
A dual seven-segment display and two LEDs are provided. The segments illuminate if the Stratix II pin to which they are connected drives low. They appear unlit when the connected Stratix II device pin drives high. The LEDs illuminate if the connected Stratix II device pin drives high, and are unlit when the connected Stratix II device pin drives low.

Table 8 shows the pin-outs for the seven-segment display and LEDs.

Table 8. Seven-Segment Display & LED Pin-Outs	
Signal	Stratix II Pin
Dual Seven-Segment Display	
HEX_0A	C4
HEX_0B	C5
HEX_0C	B5
HEX_0D	B6
HEX_0E	D7
HEX_0F	C7
HEX_0G	B8
HEX_0DP	B9
HEX_1A	F9
HEX_1B	E9
HEX_1C	C10
HEX_1D	C11
HEX_1E	F11
HEX_1F	F12
HEX_1G	C12
HEX_1DP	B12
LEDs	
pld_LED0 (board designation: D1)	B4
pld_LED1 (board designation: D2)	D5
pld_LED2 (board designation: D3)	E5
pld_LED3 (board designation: D4)	A4
pld_LED4 (board designation: D5)	A5
pld_LED5 (board designation: D6)	D6
pld_LED6 (board designation: D7)	C6
pld_LED7 (board designation: D8)	A6

Figure 3 shows the pin-outs for the seven-segment display.

Figure 3. Pin-Out Diagram for the Dual Seven-Segment Display



A/D Converters

The Stratix II DSP development board has two 12-bit A/D converters that produce samples at a maximum rate of 125 mega-samples per second (MSPS). The A/D subsystem of the board has the following features:

- The data output format from each A/D converter to the Stratix II device is in two's complement format.
- The circuit has a wideband, AC-coupled, differential input useful for IF sampling. The analog inputs are transformer-coupled to the A/D converter in order to create a balanced input. To maximize performance, two transformers are used in series. The Analog Devices data sheet for the AD9433 device describes the detailed operation of this circuit.
- Any required anti-aliasing filtering can be installed externally. If needed, users can purchase in-line SMA filters from a variety of manufacturers, such as Mini-Circuits (www.minicircuits.com).



The transformer-coupled AC circuit has a lower 3-dB frequency, of approximately 1 MHz.

The clock signal that drives the A/D converters can originate from the Stratix II device, the external clock input, or the on-board 100-MHz oscillator. Jumper J3 controls which clock is used for ADC A and J4 is used

to select the clock for ADC B. Table 9 explains how to select these three clock signals. The selected clock will pass through a differential LVPECL buffer before arriving at the clock input to both A/D converters

J3, J4 Setting	Clock Source	Signal Name
Pins 1 and 2	Stratix II PLL circuitry	adc_PLLCLK1, adc_PLLCLK2
Pins 3 and 4	OSC or External input clock positive	adc_CLK_IN1, adc_CLK_IN2
Pins 5 and 6	OSC or External input clock negative	adc_CLK_IN1_n, adc_CLK_IN2_n

Table 10 lists reference information for the A/D converters.

Item	Description
Board reference	u1, u2
Device description	12-bit, 125-msps a/d converter
Voltage	3.3-v digital v_{dd} , 5.0-v analog v_{dd}

A/D Converter Stratix II Pin-Outs

Tables 11 and 12 show the ADC A (U1) and ADC B (U2) Stratix II pin-outs.

Table 11. ADC A (U1) Stratix II Pin-Outs

Signal Name	Stratix II Pin
adcA_D0 (LSB)	D1
adcA_D1	D2
adcA_D2	E3
adcA_D3	E4
adcA_D4	E1
adcA_D5	E2
adcA_D6	F3
adcA_D7	F4
adcA_D8	F1
adcA_D9	F2
adcA_D10	G3
adcA_D11 (MSB)	G4


Table 12. ADC B (U2) Stratix II Pin-Outs

Signal Name	Stratix II Pin
adcB_D0 (LSB)	G1
adcB_D1	G2
adcB_D2	J3
adcB_D3	J4
adcB_D4	H1
adcB_D5	H2
adcB_D6	J1
adcB_D7	J2
adcB_D8	K3
adcB_D9	K4
adcB_D10	K1
adcB_D11 (MSB)	K2

D/A Converters

The Stratix II DSP development board has two D/A converters. The D/A subsystem of the board has the following features:

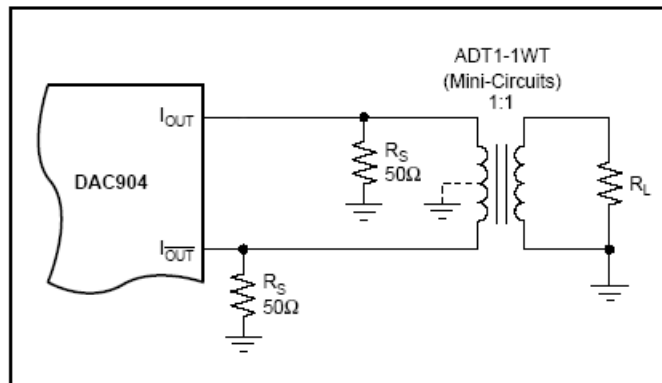
- The converters produce 14-bit samples at a maximum rate of 165 MSPS
- The analog output from each D/A converter is single-ended

 The D/A converters expect data in an unsigned integer format.

The D/A clock signals are output directly from the Stratix II device to the converters.

Figure 4 shows the on-board circuitry after a D/A converter. The output of a D/A converter chip, DAC904, consists of a current source whose maximum value is 20 mA. This differential output is converted to a single-ended output using an RF transformer. The DSP board uses a 1:1 ratio transformer to interface to a 50 ohm impedance load. Each of the outputs is terminated with a 49.9 ohm resistor to ground. This circuit results in outputs being AC coupled and inherently isolated due to transformer's magnetic coupling. The output of the transformer is then brought to an SMA connector.

Figure 4. On-Board Circuitry after D/A Converter




 The development kit includes an SLP-50 anti-aliasing filter from Mini-Circuits. This filter provides a 55-MHz cut-off frequency. For systems with other bandwidth requirements, a variety of anti-aliasing filters are available from commercial manufacturers to suit the system requirements.

Table 13 lists reference information for the D/A converters.

Table 13. D/A Converter Reference	
Item	Description
Board reference	U14, U15
Device description	14-bit, 165-MSPS D/A converter
Voltage	3.3-V digital V_{DD} , 5.0-V analog V_{DD}

Table 14 lists the clock source settings for the D/A converters.

Table 14. D/A Clock Source Settings		
J18, J19 Setting	Clock Source	Signal Name
Pins 1 and 2	Stratix II PLL Circuitry	dac_PLLCLK1, dac_PLLCLK2
Pins 3 and 4	Stratix II PLL Circuitry	dac_PLLCLK1_n, dac_PLLCLK2_n
Pins 5 and 6	OSC or External input clock (J10)	dac_CLK_IN1, dac_CLK_IN2
Pins 7 and 8	External input clock (J12) DA EXT CLK	dac_DACCLKIN1, dac_DACCLKIN2

D/A Converter Stratix II Pin-Outs

Tables 15 and 16 show the DAC A (U14) and DAC B (U15) Stratix II pin-outs.

Signal Name	Stratix II Pin
dacA_D1 (MSB)	U5
dacA_D2	U6
dacA_D3	U10
dacA_D4	U11
dacA_D5	V9
dacA_D6	V10
dacA_D7	V6
dacA_D8	V7
dacA_D9	V4
dacA_D10	V5
dacA_D11	W8
dacA_D12	W9
dacA_D13	W6
dacA_D14 (LSB)	W7

Table 16. D/A B (U15, J17) Stratix II Pin-Outs

Signal Name	Stratix II Pin
dacB_D1 (MSB) (1)	W4
dacB_D2	W5
dacB_D3	Y6
dacB_D4	Y7
dacB_D5	Y8
dacB_D6	Y9
dacB_D7	Y10
dacB_D8	Y11
dacB_D9	AB5
dacB_D10	AB6
dacB_D11	AA10
dacB_D12	AA11
dacB_D13	AA6
dacB_D14 (LSB)	AA7

Note to Table 16:

- (1) The Texas Instruments (TI) naming conventions differ from those of Altera Corporation. The TI data sheet for the DAC 904 D/A converter lists bit 1 as the most significant bit (MSB) and bit 14 as the least significant bit (LSB).

SRAM Memory (U43 & U44)

U43 and U44 are two 256 Kbyte x 16-bit asynchronous SRAM devices. They are connected to the Stratix II device so they can be used by a Nios® II embedded processor as general-purpose memory. The two 16-bit devices can be used in parallel to implement a 32-bit wide memory subsystem. Refer to Table 17 for Stratix II device pin-outs for SRAM devices U43 and U44.

Table 17. SRAM Memory (U43 & U44) (Part 1 of 3)

Pin Name	Pin Number
SE_A0	AD8
SE_A1	AM27
SE_A2	AM28
SE_A3	AJ27
SE_A4	AK27
SE_A5	AL29

Table 17. SRAM Memory (U43 & U44) (Part 2 of 3)

Pin Name	Pin Number
SE_A6	AM29
SE_A7	AJ28
SE_A8	AH28
SE_A9	AK20
SE_A10	AJ20
SE_A11	AL21
SE_A12	AL22
SE_A13	AJ22
SE_A14	AH22
SE_A15	AL23
SE_A16	AL24
SE_A17	AJ25
SE_A18	AH25
SE_A19	AL25
SE_D0	AD18
SE_D1	AB18
SE_D2	AB19
SE_D3	AC20
SE_D4	AD20
SE_D5	AE20
SE_D6	AB20
SE_D7	AF20
SE_D8	AC21
SE_D9	AD21
SE_D10	AB21
SE_D11	AE21
SE_D12	AG20
SE_D13	AF21
SE_D14	AD22
SE_D15	AF22
SE_D16	AE22
SE_D17	AC17
SE_D18	AE19
SE_D19	AD19

Pin Name	Pin Number
SE_D20	AC18
SE_D21	AB17
SE_D22	AC19
SE_D23	AL26
SE_D24	AL27
SE_D25	AL28
SE_D26	AK28
SE_D27	AK29
SE_D28	AC13
SE_D29	AD10
SE_D30	AC11
SE_D31	AE11
SRAM_BE_N0	AG11
SRAM_BE_N1	AK10
SRAM_BE_N2	AK11
SRAM_BE_N3	AL11
SRAM_CS_N	AL12
SRAM_OE_N	AG14
SRAM_WE_N	AH14

Table 18 lists the reference information for the SRAM memory.

Item	Description
Board reference	U43, U44
Device description	SRAM Memory

Flash Memory (U17)

U17 is a 16-Mbyte flash memory device connected to the Stratix II device. It can be used for two purposes:

- A Nios II embedded processor implemented in the Stratix II device can use the flash as general-purpose readable memory and non-volatile storage.
- The flash memory can hold a Stratix II device configuration file that is used by the configuration controller to load the Stratix II device at power-up.

Refer to [Table 19](#) for Stratix II pin-outs for flash memory device U17.

Hardware configuration data that implements the sines reference design is prestored in this flash memory and configures the Stratix II device with this design on boot up. A Nios II reference design can identify the 16-Mbyte flash memory in its address space, and can program new data (either new Stratix II configuration data, Nios II embedded processor software, or both) into flash memory. The Nios II integrated development environment (IDE) provides a Flash Programmer feature, which you can use to program flash memory. Altera also provides Nios II routines for writing and erasing flash memory. To program or erase flash memory, you need to install the Nios II development tools from the *Nios II Embedded Processor Windows, version 6.0* CD-ROM included in your kit, and use the Nios II IDE Flash Programmer. To use the Flash Programmer with the DSP board, you must specify an SOPC Builder setting that locates a board description file for the DSP board. Perform the following:

1. Start the Quartus II software.
 - a. Choose **Tools > SOPC Builder...** to start SOPC Builder from the Quartus II software.
 - b. In SOPC Builder choose **File > SOPC Builder Setup**
 - c. In the **Component/Kit Library Search Path** enter the path to the Stratix II DSP board component. Use "+" to delineate multiple paths. Specify the following path:

```
C:\altera\kits\StratixII_DSP_Kit-v6.0.1\Examples\board name\NiosII
```



For more information on the Flash Programmer refer to the Nios II IDE help system and the *Nios II Flash Programmer User Guide*.

Table 19. Flash Memory (U17) (Part 1 of 2)	
Pin Name	Pin Number
FLASH_A0	AF30
FLASH_A1	AF29
FLASH_A2	AE30
FLASH_A3	AE29
FLASH_A4	AG32
FLASH_A5	AG31
FLASH_A6	AF32
FLASH_A7	AF31
FLASH_A8	AE32
FLASH_A9	AE31
FLASH_A10	AD32
FLASH_A11	AD31
FLASH_A12	AB28
FLASH_A13	AB27
FLASH_A14	AC32
FLASH_A15	AC31
FLASH_A16	AB30
FLASH_A17	AB29
FLASH_A18	Y29
FLASH_A19	Y28
FLASH_A20	AA30
FLASH_A21	AA29
FLASH_A22	AB32
FLASH_A23	AB31
FLASH_D0	AH30
FLASH_D1	AH29
FLASH_D2	AJ32
FLASH_D3	AJ31
FLASH_D4	AG30
FLASH_D5	AG29
FLASH_D6	AH32
FLASH_D7	AH31

Pin Name	Pin Number
FLASH_CS_N	AA32
FLASH_OE_N	AA31
FLASH_RW_N	W32
flash_WP_n	Y30

Table 20 lists the reference information for the Flash memory.

Item	Description
Board reference	U17
Device description	Flash Memory

SDRAM Memory (U39 & U40)

The SDRAM devices (U39 and U40) are memory devices with PC100 functionality and self refresh mode. The SDRAM is fully synchronous with all signals registered on the positive edge of the system clock.

The SDRAM device pins are connected to the Stratix II device. An SDRAM controller peripheral is included with the Stratix II DSP Development Kit, allowing a Nios II processor to view the SDRAM devices as a large, linearly-addressable memory.

Table 21 lists the Stratix II device pin-outs for SDRAM device U39.

Pin Name	Pin Number	Connects to Stratix II Pin
A0	25	AD11
A1	26	AD13
A2	27	AB13
A3	60	AE14
A4	61	AB14
A5	62	AC14
A6	63	AD14
A7	64	AE10

Table 21. SDRAM Device (U39) Pin-Outs (Part 2 of 3)

Pin Name	Pin Number	Connects to Stratix II Pin
A8	65	AB15
A9	66	AC16
A10	24	AB16
A11	21	AE13
BA0	22	AL9
BA1	23	AF11
DQ0	2	AL4
DQ1	4	AJ5
DQ2	5	AH5
DQ3	7	AM4
DQ4	8	AG9
DQ5	10	AH6
DQ6	11	AH7
DQ7	13	AH9
DQ8	74	AM5
DQ9	76	AK6
DQ10	77	AJ6
DQ11	79	AM6
DQ12	80	AM7
DQ13	82	AK7
DQ14	83	AJ7
DQ15	85	AM8
DQ16	31	AJ10
DQ17	33	AK8
DQ18	34	AJ8
DQ19	36	AM9
DQ20	37	AF12
DQ21	39	AG10
DQ22	40	AF10
DQ23	42	AG12
DQ24	45	AJ11
DQ25	47	AH11
DQ26	48	AL10
DQ27	50	AM10

Table 21. SDRAM Device (U39) Pin-Outs (Part 3 of 3)		
Pin Name	Pin Number	Connects to Stratix II Pin
DQ28	51	AK12
DQ29	53	AJ12
DQ30	54	AM11
DQ31	56	AM12
DQM0	16	AK5
DQM1	71	AG8
DQM2	28	AH8
DQM3	59	AL5
RAS_N	19	AK4
CAS_N	18	AL8
CKE	67	AL7
CS_N	20	AL6
WE_N	17	AK9
CLK	68	AK16

Table 22 lists the Stratix II device pin-outs for SDRAM device U40.

Table 22. SDRAM Device (U40) Pin-Outs (Part 1 of 3)		
Pin Name	Pin Number	Connects to Stratix II Pin
A0	25	AD11
A1	26	AD13
A2	27	AB13
A3	60	AE14
A4	61	AB14
A5	62	AC14
A6	63	AD14
A7	64	AE10
A8	65	AB15
A9	66	AC16
A10	24	AB16
A11	21	AE13
BA0	22	AL9
BA1	23	AF11
DQ0	2	AH13

Table 22. SDRAM Device (U40) Pin-Outs (Part 2 of 3)

Pin Name	Pin Number	Connects to Stratix II Pin
DQ1	4	AG13
DQ2	5	AF13
DQ3	7	AG15
DQ4	8	AL14
DQ5	10	AJ14
DQ6	11	AJ13
DQ7	13	AM14
DQ8	74	AL20
DQ9	76	AH19
DQ10	77	AJ19
DQ11	79	AH20
DQ12	80	AM21
DQ13	82	AK21
DQ14	83	AJ21
DQ15	85	AM22
DQ16	31	AJ23
DQ17	33	AK22
DQ18	34	AG22
DQ19	36	AG23
DQ20	37	AM23
DQ21	39	AK23
DQ22	40	AK24
DQ23	42	AM24
DQ24	45	AK25
DQ25	47	AH24
DQ26	48	AH26
DQ27	50	AG24
DQ28	51	AM26
DQ29	53	AM25
DQ30	54	AJ26
DQ31	56	AK26
DQM0	16	AK13
DQM1	71	AL13
DQM2	28	AB12

Table 22. SDRAM Device (U40) Pin-Outs (Part 3 of 3)		
Pin Name	Pin Number	Connects to Stratix II Pin
DQM3	59	AC12
RAS_N	19	AK4
CAS_N	18	AL8
CKE	67	AL7
CS_N	20	AL6

Table 23 lists the reference information for the SDRAM memory.

Table 23. SDRAM Memory Reference	
Item	Description
Board reference	U39, U40
Device description	SDRAM Memory

Ethernet MAC/PHY (U16)

The LAN91C111 (U16) is a mixed signal analog/digital device that implements protocols at 10 Mbps and 100 Mbps. The control pins of U16 are connected to the Stratix II device so that user logic (e.g., the Nios II processor) can access Ethernet via the RJ-45 connector (RJ1). Refer to Table 24 for Stratix II pin-outs for Ethernet MAC/PHY device U16.t

Table 24. Ethernet MAC/PHY (U16) (Part 1 of 3)	
Pin Name	Pin Number
ENET_ADS_N	AA25
ENET_AEN	AC25
ENET_BE_N0	AE26
ENET_BE_N1	AE25
ENET_BE_N2	AD25
ENET_BE_N3	AD24
ENET_DATACS_N	T20
ENET_INTRQ0	AB23
ENET_IOCHRDY	V26
ENET_IOR_N	AC24
ENET_IOW_N	AB26

Table 24. Ethernet MAC/PHY (U16) (Part 2 of 3)

Pin Name	Pin Number
ENET_LDEV_N	T26
enet_RESET_n	
ENET_SRDY_N	T25
ENET_W_R_N	T21
SE_A0	AD8
SE_A1	AM27
SE_A2	AM28
SE_A3	AJ27
SE_A4	AK27
SE_A5	AL29
SE_A6	AM29
SE_A7	AJ28
SE_A8	AH28
SE_A9	AK20
SE_A10	AJ20
SE_A11	AL21
SE_A12	AL22
SE_A13	AJ22
SE_A14	AH22
SE_A15	AL23
SE_A16	AL24
SE_A17	AJ25
SE_A18	AH25
SE_A19	AL25
SE_D0	AD18
SE_D1	AB18
SE_D2	AB19
SE_D3	AC20
SE_D4	AD20
SE_D5	AE20
SE_D6	AB20
SE_D7	AF20
SE_D8	AC21
SE_D9	AD21

Pin Name	Pin Number
SE_D10	AB21
SE_D11	AE21
SE_D12	AG20
SE_D13	AF21
SE_D14	AD22
SE_D15	AF22
SE_D16	AE22
SE_D17	AC17
SE_D18	AE19
SE_D19	AD19
SE_D20	AC18
SE_D21	AB17
SE_D22	AC19
SE_D23	AL26
SE_D24	AL27
SE_D25	AL28
SE_D26	AK28
SE_D27	AK29
SE_D28	AC13
SE_D29	AD10
SE_D30	AC11
SE_D31	AE11

Table 25 lists the reference information for the Ethernet MAC/PHY.

Item	Description
Board reference	U16
Device description	Ethernet MAC/PHY

CompactFlash Connector (CON1)

The CompactFlash connector header (CON1) enables hardware designs to access a CompactFlash card. The following two access modes are supported:

- ATA (hot-swappable mode)
- IDE (IDE hard-disk mode)

Most pins of CON1 connect to I/O pins on the FPGA. The following pins have special connections:

- Pin 13 of CON1 (VCC) is driven by a power MOSFET that is controlled by an FPGA I/O pin. This allows the FPGA to control power to the CompactFlash card for the IDE connection mode.
- Pin 26 of CON1 (CD1#) is pulled up to 5V through a 10-K Ω resistor. This signal is used to detect the presence of a CompactFlash card. When the card is not present, the signal is pulled high through the pull-up resistor.
- Pin 41 of CON1 (RESET) is pulled up to 5V through a 10-K Ω resistor, and is controlled by the EPM7128AE configuration controller. The FPGA can cause the configuration controller to assert RESET, but the FPGA does not drive this signal directly.

Table 26 provides CompactFlash pin-out details.

Pin on CompactFlash (CON1)	CompactFlash Function (U60)	Connects to (1)
1	GND	GND
2	D03	AA3
3	D04	AA1
4	D05	Y2
5	D06	W1
6	D07	V2
7	CS0#	AE3
8	A10	AF1
9	ATA_SEL#	AD12
10	A09	AF3
11	A08	AF4
12	A07	AG1
13	VCC	V _{CC} (2)

Table 26. CompactFlash (CON1) Pin Table (Part 2 of 3)

Pin on CompactFlash (CON1)	CompactFlash Function (U60)	Connects to (1)
14	A06	AD6
15	A05	AD7
16	A04	AA8
17	A03	AA9
18	A02	AE2
19	A01	AD2
20	A00	AE1
21	DO0	AB3
22	DO1	AB1
23	DO2	Y4
24	IOCS16#	AD1
25	CD2#	AB8 (3)
26	CD1#	AC15
27	D11	AA2
28	D12	AA4
29	D13	Y5
30	D14	AB2
31	D15	AB4
32	CS1#	AC9
33	VS1#	AB10
34	IORD#	AC2
35	IOWR#	AC1
36	WE#	AC6
37	INTRQ	AC4
38	VCC	V _{CC} (2)
39	CSEL#	AC8
40	VS2#	AB9
41	RESET (4)	AE12
42	WAIT#	AC3
43	INPACK#	AC7
44	REG#	AB7
45	DASP#	AE4
46	PDIAG#	AF2

Table 26. CompactFlash (CON1) Pin Table (Part 3 of 3)

Pin on CompactFlash (CON1)	CompactFlash Function (U60)	Connects to (1)
47	DO8	V3
48	DO9	W2
49	D10	Y3
50	VSS	GND (3)

Notes to Table 26:

- (1) All pin numbers represent I/O pins on the FPGA, unless otherwise noted.
- (2) This FPGA I/O pin controls a power MOSFET that supplies 5V V_{CC} to CON1.
- (3) This pin does not connect to the FPGA directly.
- (4) RESET is driven by the EPM7256AE configuration controller device.

Table 27 lists the reference information for the CompactFlash connector.

Table 27. CompactFlash Connector Reference

Item	Description
Board reference	CON1
Device description	CompactFlash connector



For general information on CompactFlash, see www.compactflash.org.

Mictor Connector (J20)

The Mictor connector (J20) can be used to transmit up to 27 high-speed I/O signals with very low noise via a shielded Mictor cable. J20 is used as a debug port. Twenty-five of the Mictor connector signals are used as data, and two signals are used as clock input and clock output.

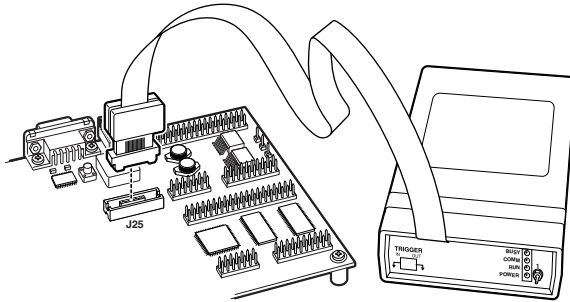
Most pins on J20 connect to I/O pins on the Stratix II device (U18). For systems that do not use the Mictor connector for debugging the Nios II processor, any on-chip signals can be routed to I/O pins and probed at J20 via a Mictor cable. External scopes and logic analyzers can connect to J20 and analyze a large number of signals simultaneously.



For details on Nios II debugging products that use the Mictor connector, see www.altera.com.

Figure 5 shows an example of an in-target system analyzer ISA-Nios/T (sold separately) by First Silicon Solutions (FS2) Inc. connected to the Mictor connector. For details see www.fs2.com.

Figure 5. An ISA-Nios/T Connecting to the Mictor Connector (J20)



Five of the signals connect to both the JTAG pins on the Stratix II device (U18) and the Stratix II device's JTAG connector (J24). The JTAG signals have special usage requirements. You cannot use J20 and J24 at the same time.

Figure 6 below shows connections from the Mictor connector to the Stratix II device. Figure 7 shows the pin-out for J20. Unless otherwise noted, labels indicate Stratix II device pin numbers.

Figure 6. Mictor Connector Signaling

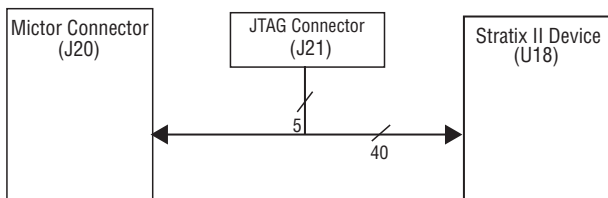


Figure 7. Debug Mictor Connector - J20

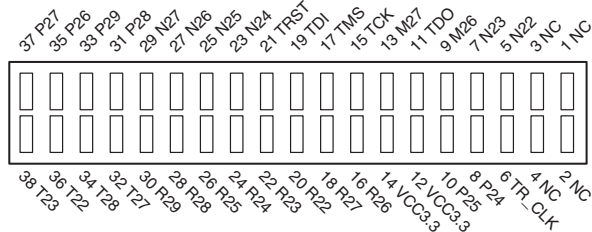


Table 28 lists the reference information for the Mictor connector.

Table 28. Mictor Connector Reference	
Item	Description
Board reference	J20
Device description	Mictor connector

VGA Interface (J35)

The board contains a high density DP15 connector, which outputs VGA, as well as a Triple Video D/A converter which has the following features:

- 3 x 8 bit, 180 megapixels per second
- $\pm 2.5\%$ gain matching
- ± 0.5 LSB linearity error
- Internal bandgap voltage reference
- Low glitch energy
- Single 3.3-V power supply

Table 29 shows the pin-outs for the VGA interface.

Table 29. VGA Interface (U45, J35) Pin-Outs (Part 1 of 2)	
Signal	Stratix II Pin
vga_B0	B7
vga_B1	E7
vga_B2	E6
vga_B3	A7
vga_B4	C9
vga_B5	A8
vga_B6	C8
vga_B7	A9
vga_G0	E11
vga_G1	G10
vga_G2	G11
vga_G3	G12
vga_G4	D12
vga_G5	A11
vga_G6	B11

Signal	Stratix II Pin
vga_G7	A12
vga_R0	D8
vga_R1	E8
vga_R2	F8
vga_R3	F10
vga_R4	A10
vga_R5	B10
vga_R6	D10
vga_R7	D11
vga_BLANK_n	G13
vga_CLOCK	E13
vga_HSYNC	F15
vga_VSYNC	B14
vga_SYNC_n	F13

Table 30 describes the device used to implement the VGA interface.

Item	Description
Board reference	U45
Device description	Triple Video D/A Converter
Voltage	3.3 V

Audio CODEC (U5)

The board contains three stereo jack connectors, which serve as one stereo input, one amplified stereo output and one non-amplified stereo output. The stereo jacks are driven by a Stereo Audio CODEC running at 8-96 KHz. Table 31 shows the pin-outs for the CODEC.

Signal	Stratix II Pin
audio_BCLK	AG4
audio_CS_n	AH1

Signal	Stratix II Pin
audio_SDIN	AH2
audio_SCLK	AH3
audio_MODE	AH4
audio_DOUT	AJ1
audio_DIN	AJ2
audio_LRCIN	AG2
audio_LRCOUT	AG3
audio_CLK	AL18

Table 32 describes the device used to implement the CODEC.

Item	Description
Board reference	U5
Device description	Stereo Audio CODEC, 8-96 KHz
Voltage	3.3 V

Expansion Interfaces

The Stratix II DSP development board includes the following interfaces:

- A TI-EVM/FPDP connector (J31, J33), located on the reverse side of the board
- An RS-232C Serial I/O interface (J29)
- Two 0.1-inch headers specifically designed to be used with external analog-to-digital devices made by Analog Devices Corporation (J6, J5)
- Two Altera Expansion Prototype Connectors (J23, J24, J25; J26, J27, J28)

TI-EVM/FPDP Connector (J31, J33)

The TI-EVM interface is specifically designed to work with TI boards that have the EVM interface. Refer to the Texas Instruments web site for details on which of their boards feature this connector.

Table 33 lists the pin-outs for the TI-EVM and FPDP connectors.

<i>Table 33. TI-EVM /FPDP Connector (J31, J33) Pin-Outs (Part 1 of 3)</i>	
TI-EVM Signal Name	Stratix II Pin
J31	
evm_DX0	J21
evm_DR0	H22
evm_IAK	K12
evm_INUM0	H13
evm_CNTL0	L12
evm_STAT0	J12
evm_DMAC0	H12
evm_CLKOUT2	K11
evm_CLKX0	J22
evm_FSX0	G22
evm_CLKR0	K22
evm_FSR0	K21
evm_RESET	J11
evm_INT0	H11
evm_INT1	L14
evm_INT2	C13
evm_INT3	B13
J33	
evm_A2	B20
evm_A3	E19
evm_A4	C20
evm_A5	E20
evm_A6	A21
evm_A7	C21
evm_A8	A22
evm_A9	C22
evm_A10	D23
evm_A11	D21
evm_A12	F22
evm_A13	F23
evm_A14	A23

Table 33. TI-EVM /FPDP Connector (J31, J33) Pin-Outs (Part 2 of 3)

TI-EVM Signal Name	Stratix II Pin
evm_A15	C23
evm_A16	C24
evm_A17	A24
evm_A18	A25
evm_A19	A26
evm_A20	D26
evm_A21	C26
evm_D0	E24
evm_D1	C25
evm_D2	E27
evm_D3	E26
evm_D4	A27
evm_D5	A28
evm_D6	D27
evm_D7	C27
evm_D8	B29
evm_D9	A29
evm_D10	D28
evm_D11	E28
evm_D12	D19
evm_D13	B21
evm_D14	D22
evm_D15	B23
evm_D16	B25
evm_D17	D25
evm_D18	B27
evm_D19	C28
evm_D20	D20
evm_D21	B22
evm_D22	E22
evm_D23	B24
evm_D24	B26
evm_D25	E25
evm_D26	B28

Table 33. TI-EVM /FPDP Connector (J31, J33) Pin-Outs (Part 3 of 3)

TI-EVM Signal Name	Stratix II Pin
evm_D27	C29
evm_D28	L21
evm_D29	G21
evm_D30	L18
evm_D31	J19
evm_BE_n0	H20
evm_BE_n1	L19
evm_BE_n2	K19
evm_BE_n3	G20
evm_AWE_n	L20
evm_ARDY	H21
evm_ACE2_n	J20
evm_ARE_n	K20
evm_AOE_n	K18
evm_ACE3_n	E14

RS-232C Serial I/O Interface

The board contains a DB9 connector (J29), which provides a bidirectional RS-232C serial I/O interface. The board contains the transceiver (U41), however the logic controller (UART) must be implemented in the Stratix II device. [Table 35](#) describes the device used to implement the RS-232C interface.

J29 is a standard DB-9 serial connector. This connector is typically used for communication with a host computer using a standard 9-pin serial cable connected to (for example) a COM port. Level-shifting buffers (U52 and U58) are used between J29 and the Stratix II device, because the Stratix II device cannot interface to RS-232 voltage levels directly.

J29 can transmit all RS-232 signals. The Stratix II design may use only the signals it needs, such as J29's RXD and TXD. LEDs are connected to the RXD and TXD signals, giving a visual indication when data is being transmitted or received. [Figure 8](#) shows the pin connections between the serial connector and the Stratix II device.

Figure 8. Serial Connector J29

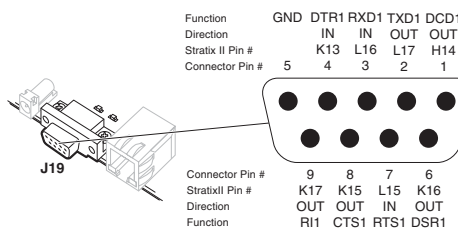


Table 34 shows the pin-outs for the RS-232C interface.

Table 34. RS-232C Serial Interface Pin-Outs

Signal	Stratix II Pin
TXD	L17
RXD	L16
DTR	K13
DCD	H14
DSR	K16
RI	K17
CTS	K15
RTS	L15

Table 35 lists reference information for the RS-232C transceiver device.

Table 35. RS-232C Interface Device Reference

Item	Description
Board reference	U41
Device description	RS-232 transceiver
Voltage	3.3 V

Analog Devices Corporation External A/D Support

The Stratix II DSP development board supports Analog Devices A/D converters via two 40-pin 0.1-inch digital I/O headers (J5, J6). These two dual-purpose digital I/O headers can support a maximum of the following three converters.

- Two AD9433 converters
- Two AD6645 converters
- One AD9430 converter

Table 36 lists the pin-outs for the ADI connectors.

ADI Signal Name	Stratix II Pin
Adi_D0	L3
Adi_D1	L4
Adi_D2	N4
Adi_D3	N5
Adi_D4	M3
Adi_D5	M4
Adi_D6	L1
Adi_D7	L2
Adi_D8	N2
Adi_D9	N3
Adi_D10	M1
Adi_D11	M2
Adi_D12	R2
Adi_D13	R3
Adi_D14	P1
Adi_D15	P2
Adi_D16	J6
Adi_D17	J7
Adi_D18	J8
Adi_D19	J9
Adi_D20	K8
Adi_D21	K9
Adi_D22	L9
Adi_D23	L10

Table 36. ADI Connector (J5, J6) Pin-Outs (Part 2 of 2)

ADI Signal Name	Stratix II Pin
Adi_D24	L7
Adi_D25	L8
Adi_D26	K6
Adi_D27	K7
Adi_D28	L5
Adi_D29	L6
Adi_D30	M10
Adi_D31	M11
Adi_D32	M8
Adi_D33	M9

Expansion Prototype Connector (J23, J24, J25)

Headers J23, J24, and J25 collectively form a standard-footprint, mechanically-stable connection that can be used (for example) as an interface to a special-function daughter card.



For a list of available expansion daughter cards that can be used with the Stratix II DSP development board refer to www.altera.com/devkits.

The expansion prototype connector interfaces include:

- 41 I/O pins for prototyping. All 41 I/O pins connect to user I/O pins on the Stratix II device. Each signal passes through analog switches (U19, U20, U21, U22 and U25) to protect the Stratix II device from 5 V logic levels. These analog switches are permanently enabled. The output logic-level on the expansion prototype connector pins is 3.3 V.
- A buffered, zero-skew copy of the on-board OSC output from U2.
- A buffered, zero-skew copy of the Stratix II device's phase-locked loop (PLL)-output from U60.
- A logic-negative power-on reset signal.
- Five regulated 3.3-V power-supply pins (2 A total maximum load for both connectors).
- One regulated 5-V power-supply pin (1 A total maximum load for both connectors).
- Numerous ground connections.

Figures 9 and 10 show connections from the expansion prototype connector to the Stratix II device. Unless otherwise noted, labels indicate Stratix II device pin numbers.

Figure 9. Expansion Prototype Connector - J23, J24, J25

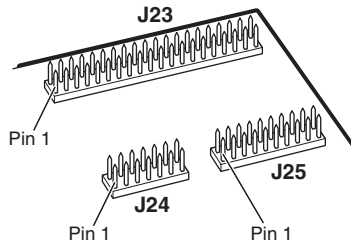


Figure 10. Expansion Prototype Connector Pin Information - J23, J24, J25

GND	1	● ●	2	VCC5	J24	RESET_n	1	● ●	2	GND	J23
M24	3	● ●	4	E31		R31	3	● ●	4	R30	
H30	5	● ●	6	H29		P32	5	● ●	6	P31	
G30	7	● ●	8	G29		M32	7	● ●	8	M31	
F30	9	● ●	10	F29		N31	9	● ●	10	N30	
E30	11	● ●	12	E29		L32	11	● ●	12	L31	
D32	13	● ●	14	D31		M30	13	● ●	14	M29	
						N29	15	● ●	16	N28	
						L30	17	● ●	18	L29	
						GND	19	● ●	20	NC	
						K32	21	● ●	22	GND	
						K31	23	● ●	24	GND	
						K30	25	● ●	26	GND	
						K29	27	● ●	28	J32	
						J31	29	● ●	30	GND	
						H32	31	● ●	32	H31	
						G32	33	● ●	34	NC	
						G31	35	● ●	36	F32	
						F31	37	● ●	38	L26	
						E32	39	● ●	40	GND	

(1) Vunreg (U54 pin 2)	1	● ●	2	GND	J25
NC	3	● ●	4	GND	
+3.3V	5	● ●	6	GND	
+3.3V	7	● ●	8	GND	
(2) PROTO1_OSC (U2 pin 6)	9	● ●	10	GND	
(3) PROTO1_CLKIN (U2 pin 17)	11	● ●	12	GND	
(4) PROTO1_CLKOUT (AC14)	13	● ●	14	GND	
+3.3V	15	● ●	16	GND	
+3.3V	17	● ●	18	GND	
+3.3V	19	● ●	20	GND	

Notes to Figure 10:

- (1) Unregulated voltage from AC to DC power transformer
- (2) Clk from board oscillator
- (3) Clk from the Stratix II device via buffer
- (4) Clk output from the card to the Stratix II device

Expansion Prototype Connector (J26, J27, J28)

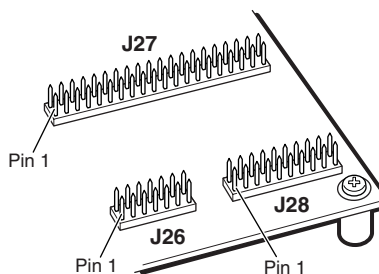
Headers J26, J27, and J28 collectively form a standard-footprint, mechanically-stable connection that can be used (for example) as an interface to a special-function daughter card.

The expansion prototype connector interface includes:

- 41 I/O pins for prototyping. All 41 I/O pins connect to user I/O pins on the Stratix II device. Each signal passes through analog switches (U27, U28, U29, U30 and U31) to protect the Stratix II device from 5-V logic levels. These analog switches are permanently enabled. The output logic-level on the expansion prototype connector pins is 3.3 V.
- A buffered, zero-skew copy of the on-board OSC output (from U2).
- A buffered, zero-skew copy of the Stratix II device's phase-locked loop (PLL)-output (from U60).
- A logic-negative, power-on reset signal.
- Five regulated 3.3-V power-supply pins (2A total max load for both expansion prototype connectors).
- One regulated 5-V power-supply pin (1A total max load for both expansion prototype connectors).
- Numerous ground connections.

Figures 11 and 12 show connections from the expansion prototype to the Stratix II device. Unless otherwise noted, the labels indicate Stratix II device pin numbers.


Figure 11. Expansion Prototype Connector - J26, J27, J28



This chapter describes how to get started with the board, including using the board, non-volatile configuration, and applying and removing the heat sink from the Stratix® II device. For more information, refer to the *DSP Development Kit, Stratix II Edition Getting Started User Guide*.

Using the Board

When power is applied to the board and SW9 is in the "ON" position, the Power-on LED (LED7) illuminates. At that time, the MAX device (U10) programs the Stratix II device (U18) from one of 4 flash memory spaces reserved for configuration information. If configuration is successful, the CONF_DONE LED (LED5) illuminates.


 If the Stratix II device is programmed with a design in one of the user configuration memory spaces or using the JTAG connector (J21), both the CONF_DONE LED (LED5) and the USER LED (LED1) illuminate. For more information, refer to ["Configuration-Status LEDs" on page 2–8](#).

To configure the board with a new design, the designer should perform the following steps, explained in detail in this section.

4. Apply power to the board.
5. Re-configure the Stratix II device.

Apply Power

Apply power to the board by connecting the 16-V DC power supply adapter, provided in the DSP Development Kit, Stratix II edition, to the on-board power adapter connector (J22), and switching SW9 to the ON position. All of the board components draw power either directly from this 16-V supply or from the 3.3-V, 1.2-V, and 5-V regulators that are powered by the 16-V supply.

 The 3.3-V supply provides V_{CCIO} to the Stratix II device and all LVTTTL board components. The 1.2-V supply provides V_{CCINT} to the Stratix II device.

When power is applied to the board, the Power On LED (LED7) illuminates.



The Stratix II device, the A/D and D/A converters, and power regulator U22 become hot as the board is used. Because their surface temperature may significantly increase, **do not touch these devices while power is applied to the board.**

Configure the Stratix II Device Directly

You can configure the Stratix II device directly, without turning off power, using the Quartus® II software and the USB Blaster cable, as follows.

1. Attach the cable to J21, also labeled “JTAG Stratix II”.
2. Open a Quartus II SRAM Object File (.sof), which starts the Quartus II Programmer.
3. Select **USB Blaster** as the hardware.
4. Set the mode to **JTAG**.
5. Click **Start**.

After successful configuration, the CONF_DONE LED (LED5) illuminates.



Refer to Quartus II Help for instructions on how to use the USB Blaster cable.

Non-Volatile Configuration

The designer must reconfigure the Stratix II device each time power is applied to the Stratix II DSP development board. For designers who want to power up the board and have a design immediately present in the Stratix II device, the board has a non-volatile configuration scheme. This scheme consists of a configuration controller (U10), which is an Altera EPM7256 PLD, and flash memory. The configuration controller device is non-volatile (i.e., it does not lose its configuration data when the board is powered down) and it comes factory-programmed with logic that configures the Stratix II EP2S60F1020C3/EP2S180F1020C3 device (U18) from data stored in flash (U17) on power-up. Upon power-up, the configuration controller begins reading data from the flash memory. The flash memory, Stratix II device, and configuration controller are connected so that data from the flash configures the Stratix II device in fast passive-parallel mode.

Configuration Data

The Quartus II software can produce Hexadecimal (Intel format) Output (**.hexout**) files suitable for download and storage in the flash memory as configuration data. The designer can create a HEXOUT file using the Quartus II software in one of the following ways:

- Create a HEXOUT file at the end of compilation
- Convert a SRAM Object File (**.sof**) to a HEXOUT file.

Write a HEXOUT file at Compilation

To set up a project so that the Quartus II software writes a HEXOUT file at the end of compilation, perform the following steps:

1. Choose **Settings** (Assignments menu).
2. Click **Device** under **Compiler Settings**.
3. Click **Device and Pin Options**.
4. Click the **Programming Files** tab.
5. Turn on the **Hexadecimal (Intel-Format) Output File (.hexout)** option. With this option turned on, the Quartus II software generates a **.hexout** at the end of a successful compilation.

Convert a SOF to a HEXOUT File

The designer can convert a SOF to a HEXOUT file by performing the following steps in the Quartus II software:

1. Choose **Convert Programming Files** (File menu).
2. Under **Output programming file**, choose **Hexadecimal (Intel-Format) Output File for SRAM (.hexout)** from the **Programming file type** list box.
3. Specify an output file name in the **File name** box. The default is **output_file.hexout**.
4. Click **SOF Data** under **Input files to convert**.
5. Click **Add File**.
6. Browse to the SOF to convert and click **OK**. The Quartus II software converts the file and saves the output file to the specified directory.



Intel-format HEXOUT files contain data that is not actually written to the flash memory. The **Write2Flash** executable file (provided in the *<installation directory>/utilities/Flash_Programmer* directory) parses the HEXOUT file and creates a file with the extension **.hexout.flash** that contains the data to be written to flash memory. The designer can then send this file serially to the board via an RS-232 cable and write it to flash memory by the factory configuration as described in the next section.

Factory & User Configurations

The configuration controller can manage four separate Stratix II device configurations as HEXOUT data stored in flash memory: three user designs and a factory design. On power-up, the configuration controller reads one of the four (user or factory) designs from the flash memory and programs the Stratix II device accordingly. The user can select which design the Stratix II device is programmed with by setting the DIP switches on SW2.

DIP switches 1 through 3 on SW2 select one of four possible Stratix II configuration images upon power-up. When DIP switch 4 is in the “OPEN” position the configuration controller is enabled. If DIP switch 4 is in the “OPEN” position and there are no valid user-defined images, the Stratix II device is programmed with the factory configuration. [Table 1](#) shows the DIP switch combinations used to select the available images. See [“Non-Volatile Configuration” on page 3–2](#) for more details.



On the Stratix II EP2S180 DSP board, only the factory image and User0 are available because of the size of the configuration files for the EP2S180 device.

An alternative method of configuring the device with the factory design is to press push-button switch SW3.

Table 1. Configuration DIP Switch (SW2) Combinations

Image	Switch 1	Switch 2	Switch 3	Switch 4
User0	Closed	Closed	Closed	Open
User1	Open	Closed	Closed	Open
User2	Closed	Open	Closed	Open
Factory	Open	Open	Open	Open



Switch 4 must be set to “OPEN” to enable the configuration controller.



To download a Quartus II-generated HEXOUT file to the flash memory on the board, refer to the *Nios II Flash Programmer User Guide* included on the *DSP Development Kit, Stratix II Edition CD-ROM*.

The Factory Design

When the Stratix II device is programmed with the factory design, LEDs D5 through D8 behave as a binary counter that counts down to zero. This is a power-up indication that the board is functional and the device was successfully programmed with the factory design.

Along with the LED counter, the factory design includes two blocks of IP generated by the Altera NCO Compiler. One of these oscillators is running at 10 times the frequency of the other, but both of them have the same amplitude, covering 13 bits of dynamic range. Two sine waves generated by these blocks are added together and the output is converted from a 2's complement representation into unsigned integer format. This combined sine wave signal of 14-bits dynamic range is sent to a 14-bit D/A converter.

When the analog output of the D/A converter is connected, via the included SMA cable, with the analog input of one of the 12-bit A/D converters, the A/D converter's digital output is looped back to the Stratix II device. The design converts this loopback input from 2's complement format to unsigned integer format. The converted loopback data is captured by an instance of the SignalTap® II logic analyzer in the design for display and analysis.



For step-by-step instructions on how to use the factory design to test the functionality of the board, refer to the *DSP Development Kit, Stratix II Edition Getting Started User Guide*.

Install or Remove the Active Heat Sink

The DSP Development Kit, Stratix II Edition includes a heat sink and fan combination, also known as an active heat sink. This active heat sink maintains the Stratix II device within its thermal operating range, independent of the design size, clock frequency, and operating conditions, allowing you to evaluate larger high-speed designs in hardware before completing the thermal analysis of your system. Depending on the specific requirements of your application, this level of cooling may not be necessary.



For further information, refer to *AN 355: Stratix II Device System Power Considerations*.

To mount the active heat sink to the board, perform the following steps:

1. Peel off the film covering the thermal tape on the bottom of the heatsink.
2. Center the heat sink on top of the Stratix II FPGA. The active heat sink can be mounted in two directions; mount it so the wires are as close as possible to the J36 connector. When connected, these wires supply the 5 V DC power to the fan.
3. Push the heat sink down onto the Stratix II device and hold it there for 30 seconds.
4. Attach the heat sink fan power connector to the J36 connector, for 5 V DC power. The red wire should connect to pin 1 of J36, which is noted with a dot on the silkscreen.



Do not connect this connector backwards or you will damage the fan.

Remove the Active Heat Sink

To remove the heat sink and fan from the board, perform the following steps:

1. Disconnect the heat sink fan power connector from the J36 connector.
2. Insert a thin device such as a knife or small screwdriver between the heat sink and the Stratix II device.
3. Pry the thermal tape loose and remove the heat sink from the device.



Do not pull the heat sink off of the Stratix II device because this action may cause the device to break off of the board. Always pry the heat sink off.